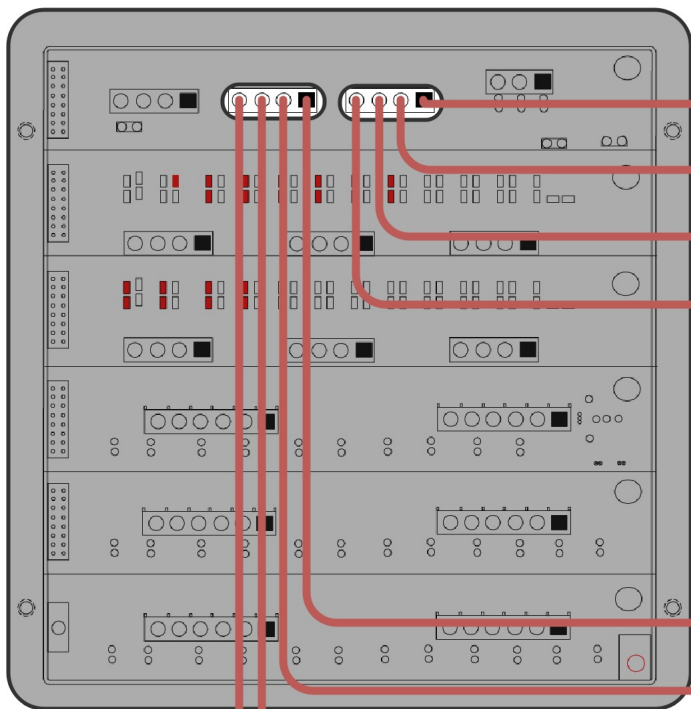


Tiffin Slide Adapter

G6 Chassis Panel



Attached to J1

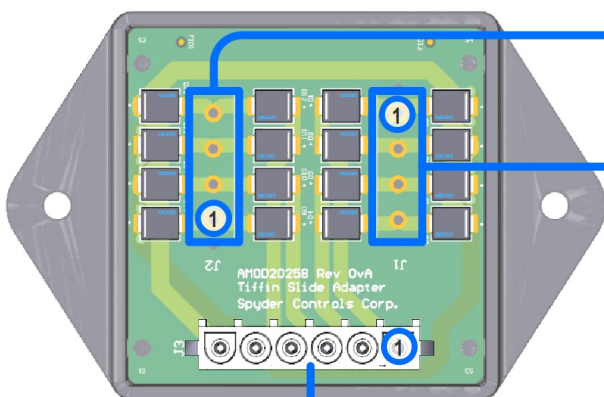
- 1 Front D/S Slide RET
- 2 Front D/S Slide EXT
- 3 Front P/S Slide RET
- 4 Front P/S Slide EXT



Attached to J2

- 1 Rear D/S Slide RET
- 2 Rear D/S Slide EXT
- 3 Rear P/S Slide RET
- 4 Rear P/S Slide EXT

Tiffin Slide Adapter



Header J3

- 1 Front D/S Slide
- 2 Front P/S Slide
- 3 Rear D/S Slide
- 4 Rear P/S Slide
- 5 Hydraulic Pump EXT
- 6 Hydraulic Pump RET