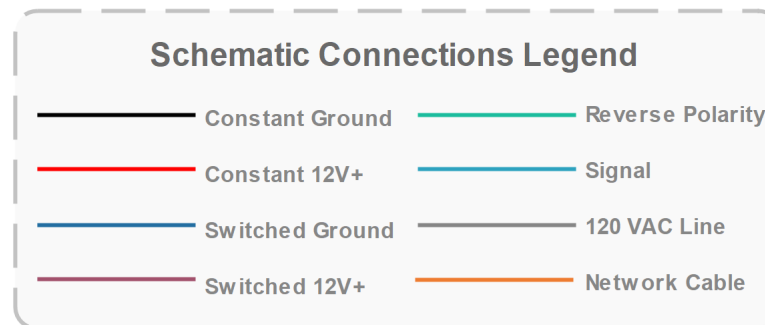




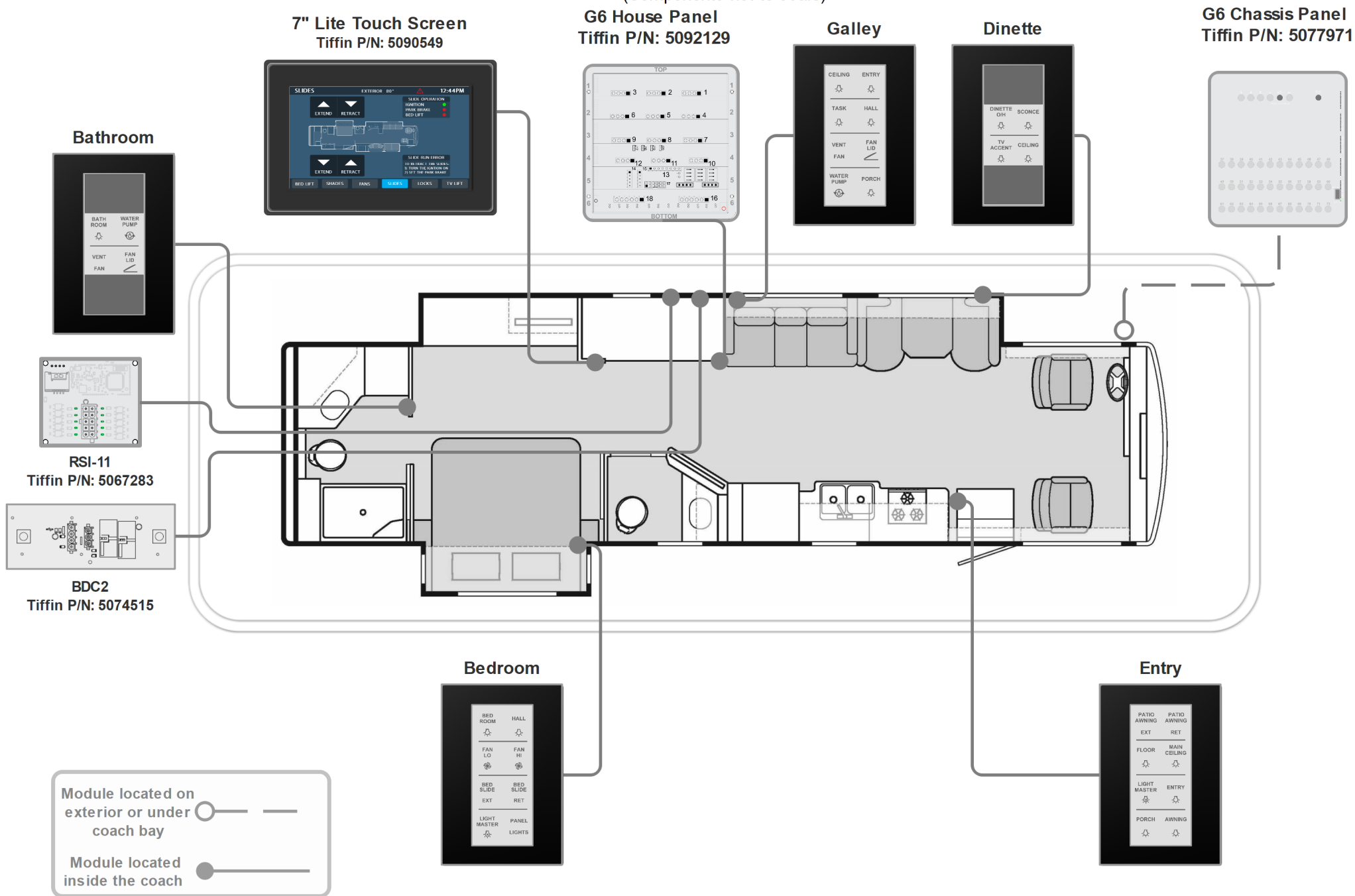
# Multiplex Integration Schematic

## 2020 Allegro Open Road



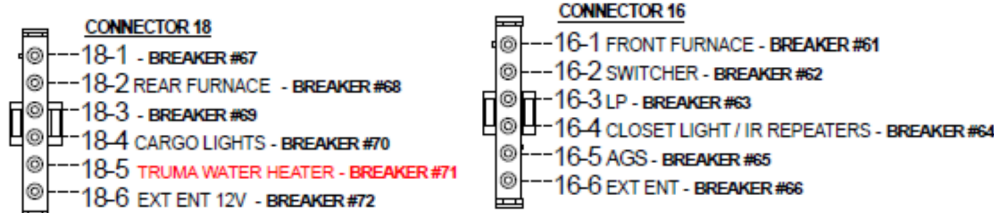
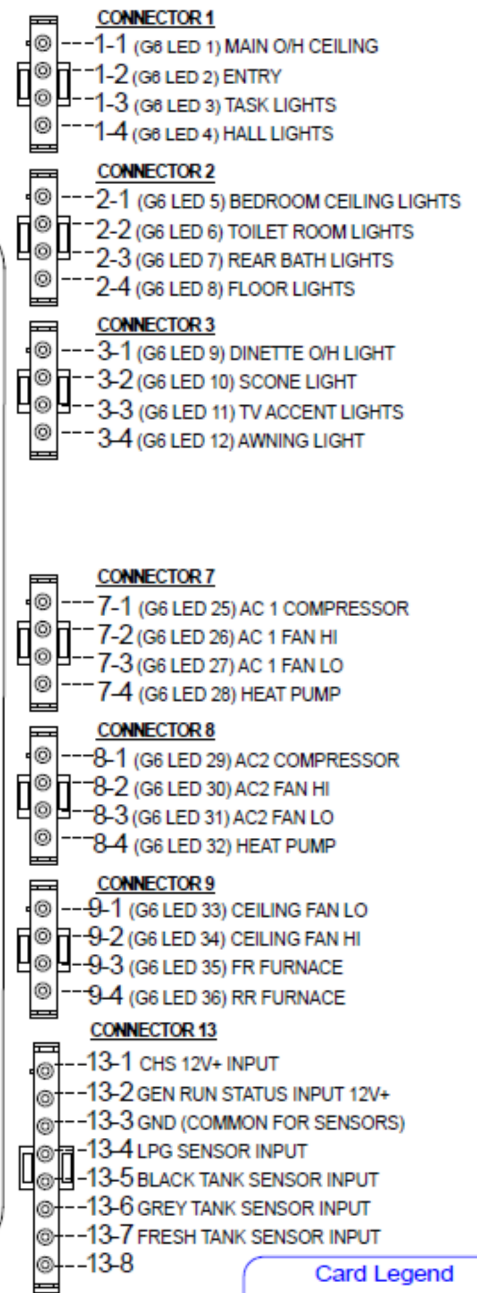
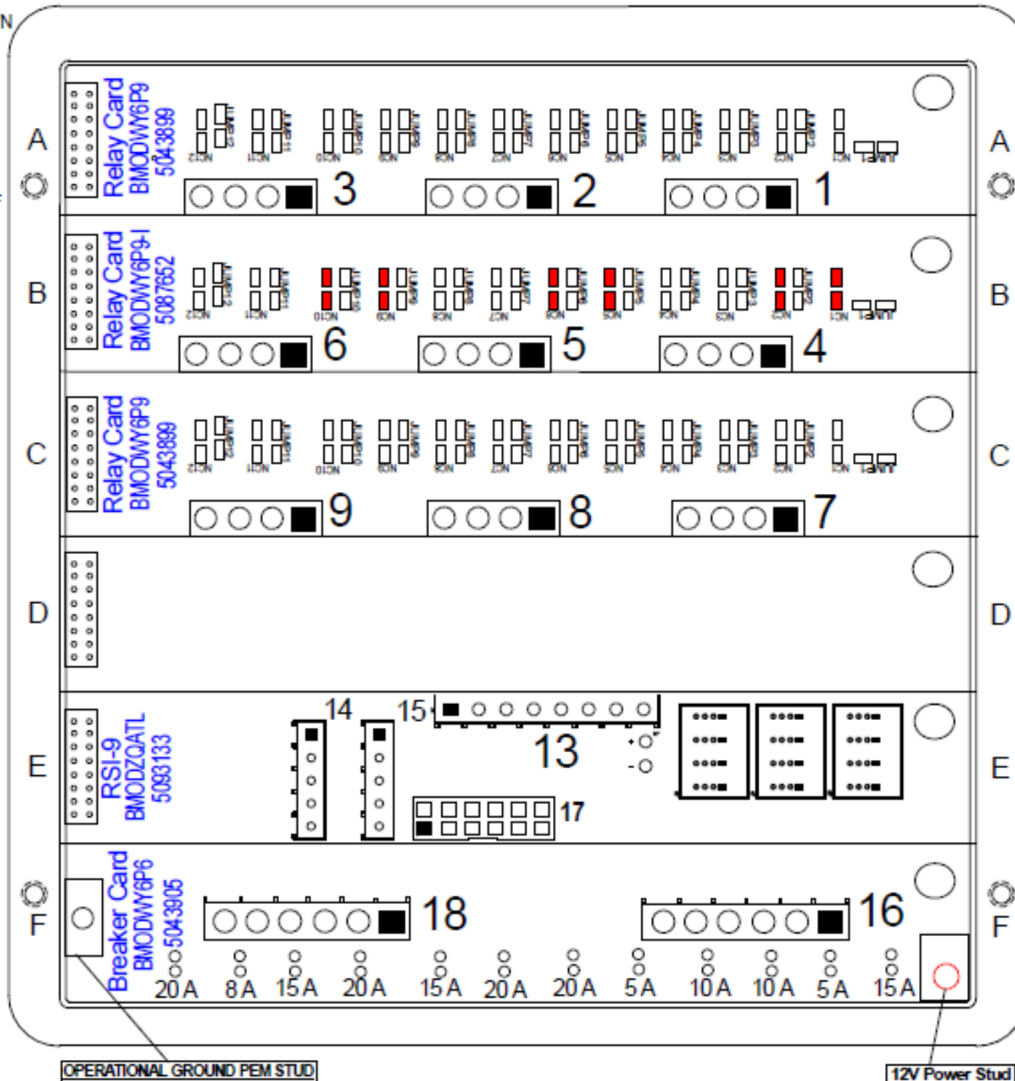
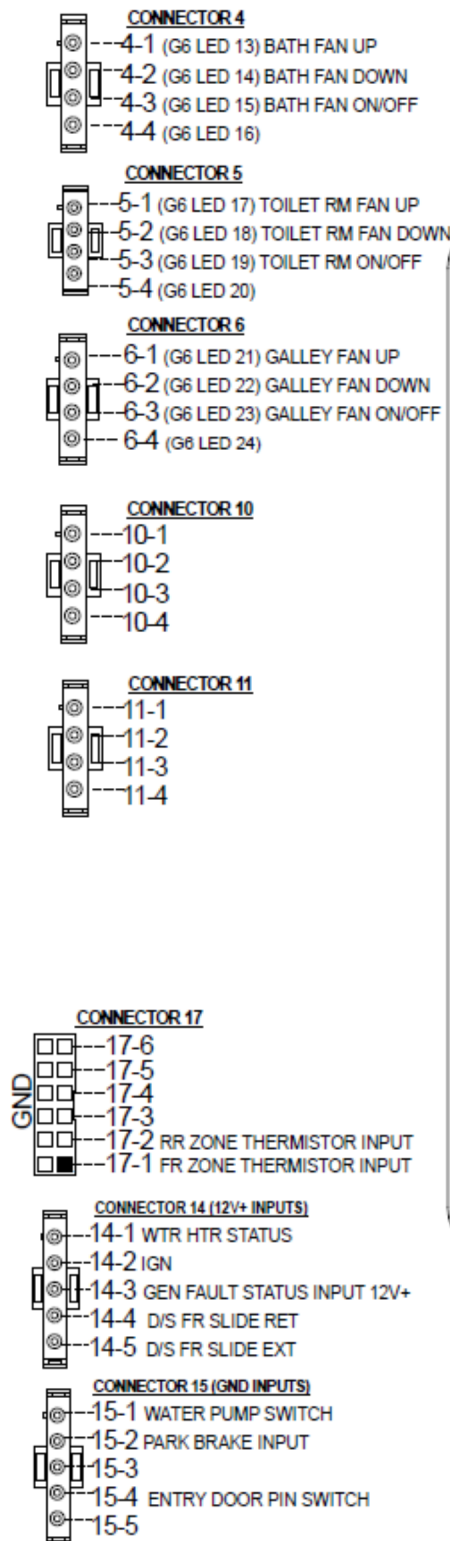
# 2020 Tiffin Allegro Open Road General Component Locations Diagram

(Components not to scale)



**G6A CONTROL PANEL LAYOUT**  
 Tiffin PN: 5092129 Spyder PN: BENCZ52CS  
 2020 Allegro - HOUSE Rev 0vA  
[PINOUT DIAGRAM - 2019-05-10](#)

**Back View**



**Card Legend**

R=RELAY CARD  
 B=BREAKER CARD  
 RSI-9=INPUT MODULE  
 D=DIMMER CARD

■ = JUMPED

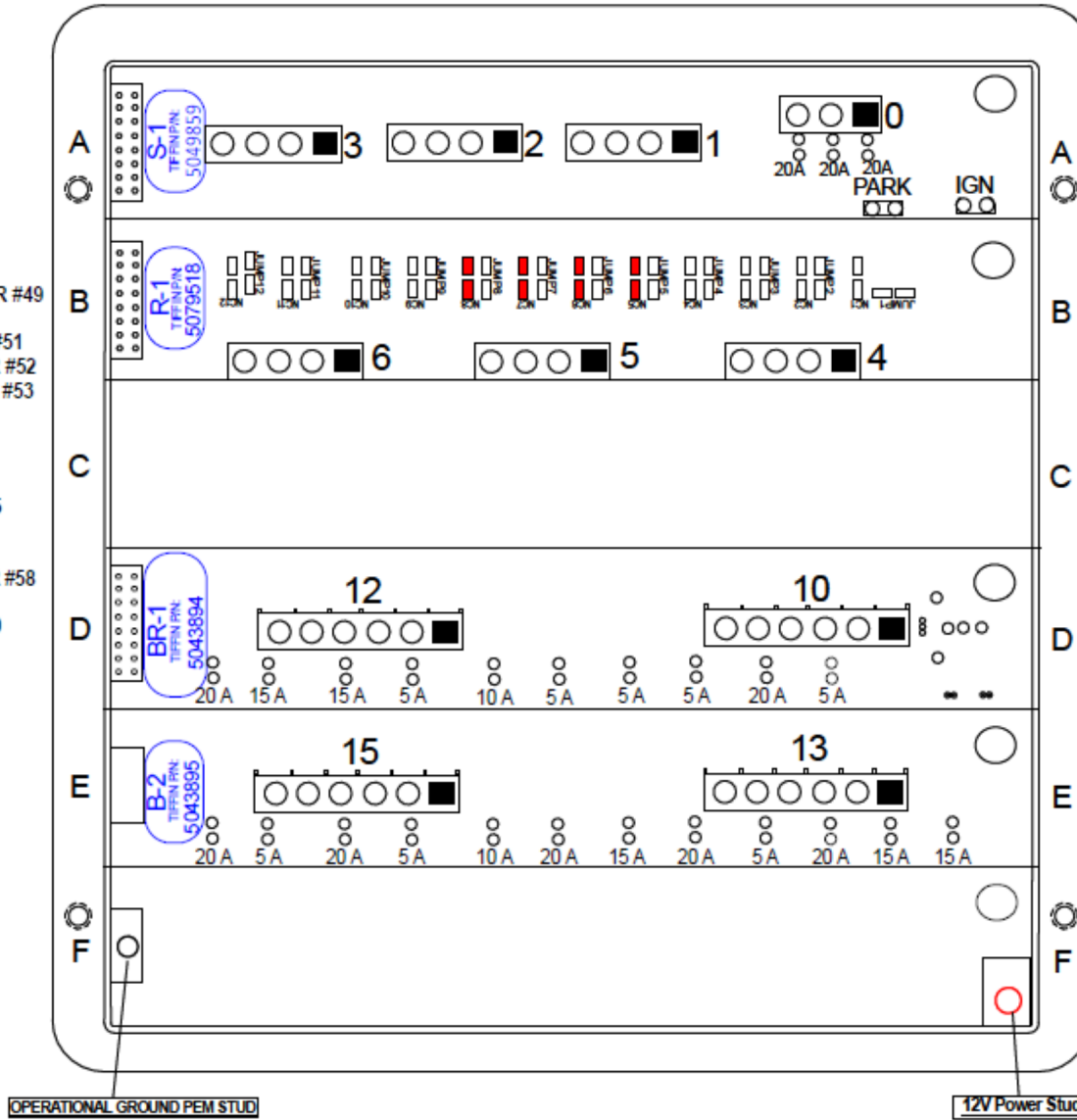
NOTE: CONNECTORS ARE SHOWN HERE IN THE LOADED (REAR) VIEW.

**G6A CONTROL PANEL LAYOUT**  
 Tiffin PN: 5077971 Spyder PN: BENCZ54CF  
 Allegro - CHASSIS Rev 0vA  
PINOUT DIAGRAM - 08.07.2018

**Back View**

- CONNECTOR 4**
- 4-1 (G6 LED 13) WATER PUMP
  - 4-2 (G6 LED 14) PORCH LIGHT
  - 4-3 (G6 LED 15) WATER HEATER ELEC
  - 4-4 (G6 LED 16) WATER HEATER GAS
- CONNECTOR 5**
- 5-1 (G6 LED 17) AWNING EXT
  - 5-2 (G6 LED 18) AWNING RET
  - 5-3 (G6 LED 19) GALLEY NIGHT SHADE UP
  - 5-4 (G6 LED 20) GALLEY NIGHT SHADE DN
- CONNECTOR 6**
- 6-1 (G6 LED 21)
  - 6-2 (G6 LED 22)
  - 6-3 (G6 LED 23)
  - 6-4 (G6 LED 24)
- PARK BRAKE SIGNAL**
- IGNITION SIGNAL**
- CONNECTOR 13**
- 13-1 MAP LT / RADIO / FANS - BREAKER #49
  - 13-2 USB POWER - BREAKER #50
  - 13-3 WIPER HIGH RELAY - BREAKER #51
  - 13-4 ENTRY STEP SWITCH - BREAKER #52
  - 13-5 ENTRY STEP POWER - BREAKER #53
  - 13-6 WINDOW - BREAKER #54
- CONNECTOR 15**
- 15-1 POWER SEAT #1 - BREAKER #55
  - 15-2 A/C FAN - BREAKER #56
  - 15-3 HOOD LIGHTS - BREAKER #57
  - 15-4 TRAILER 12V POWER - BREAKER #58
  - 15-5 SHADES - BREAKER #59
  - 15-6 POWER SEAT #2 - BREAKER #60

- CONNECTOR 0**
- 0-1 FRONT SLIDE MODULE
  - 0-2 VANITY SLIDE MODULE
  - 0-3 BED SLIDE MODULE
- CONNECTOR 1**
- 1-1 (G6 LED 1) D/S FR SLIDE RET
  - 1-2 (G6 LED 2) D/S FR SLIDE EXT
  - 1-3 (G6 LED 3) P/S FR SLIDE RET
  - 1-4 (G6 LED 4) P/S FR SLIDE EXT
- CONNECTOR 2**
- 2-1 (G6 LED 5) D/S RR SLIDE RET
  - 2-2 (G6 LED 6) D/S RR SLIDE EXT
  - 2-3 (G6 LED 7) P/S RR SLIDE RET
  - 2-4 (G6 LED 8) P/S RR SLIDE EXT
- CONNECTOR 3**
- 3-1 (G6 LED 9) D/S HYDRAULIC PUMP
  - 3-2 (G6 LED 10) P/S HYDRAULIC PUMP
  - 3-3 (G6 LED 11) DOOR AWNING
  - 3-4 (G6 LED 12)
- CONNECTOR 10**
- 10-1 - BREAKER #37
  - 10-2 - BREAKER #38
  - 10-3 FRIDGE / TV RELAY - BREAKER #39
  - 10-4 MIRRORS - BREAKER #40
  - 10-5 CAMERA IGN - BREAKER #41
  - 10-6 JACK BUZZER - BREAKER #42
- CONNECTOR 12**
- 12-1 - BREAKER #43
  - 12-2 - BREAKER #44
  - 12-3 ENTRY STEP IGN - BREAKER #45
  - 12-4 - BREAKER #46
  - 12-5 - BREAKER #47
  - 12-6 POWER WINDOW OPTION - BREAKER #48



**Card Legend**

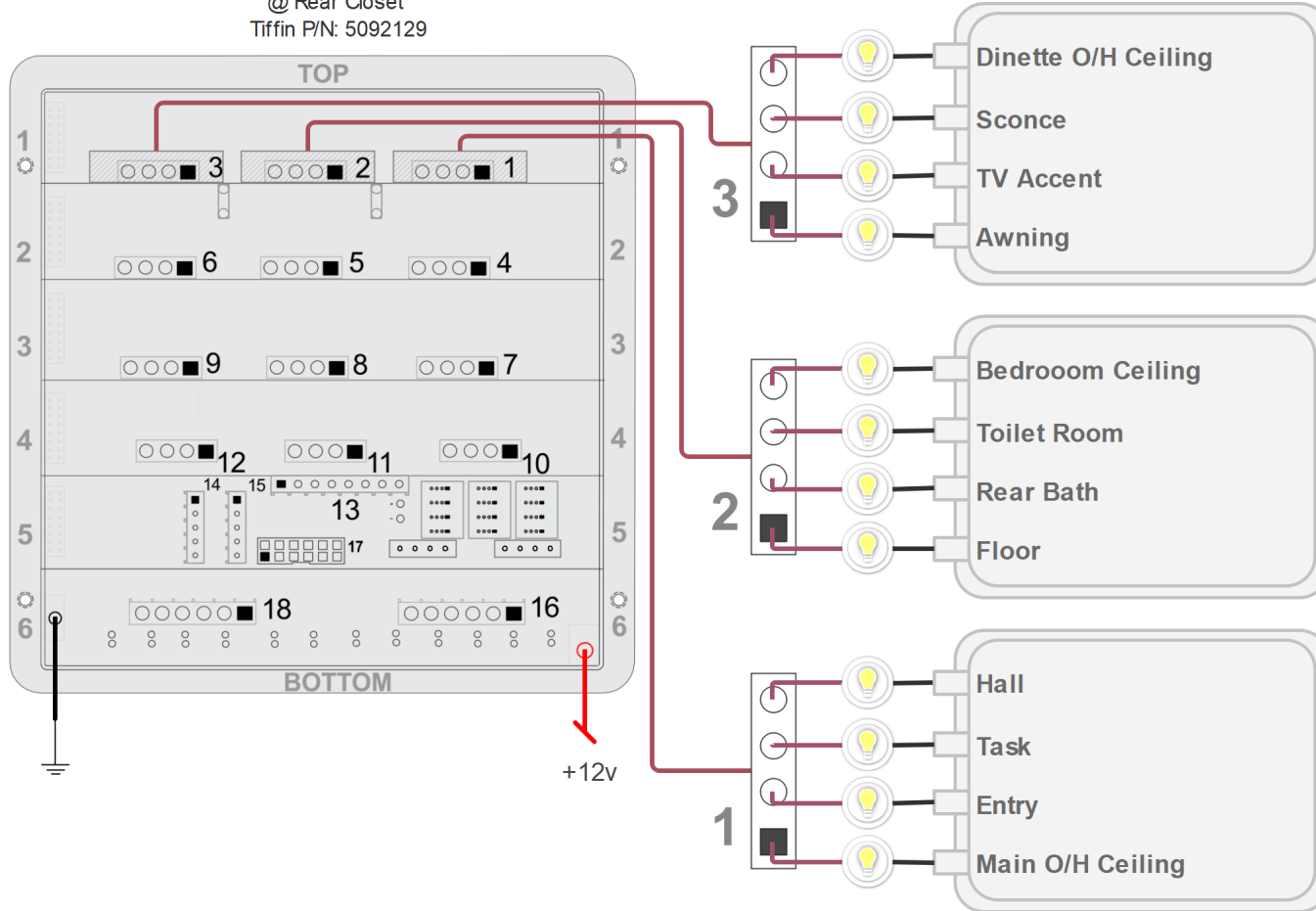
- R=RELAY CARD
- B=BREAKER CARD
- BR=BREAKER/RELAY CARD
- D=DIMMER CARD
- = JUMPERED

NOTE: CONNECTORS ARE SHOWN HERE IN THE LOADED (REAR) VIEW.

# 2020 Tiffin Allegro Open Road Lighting System (Components not to scale)

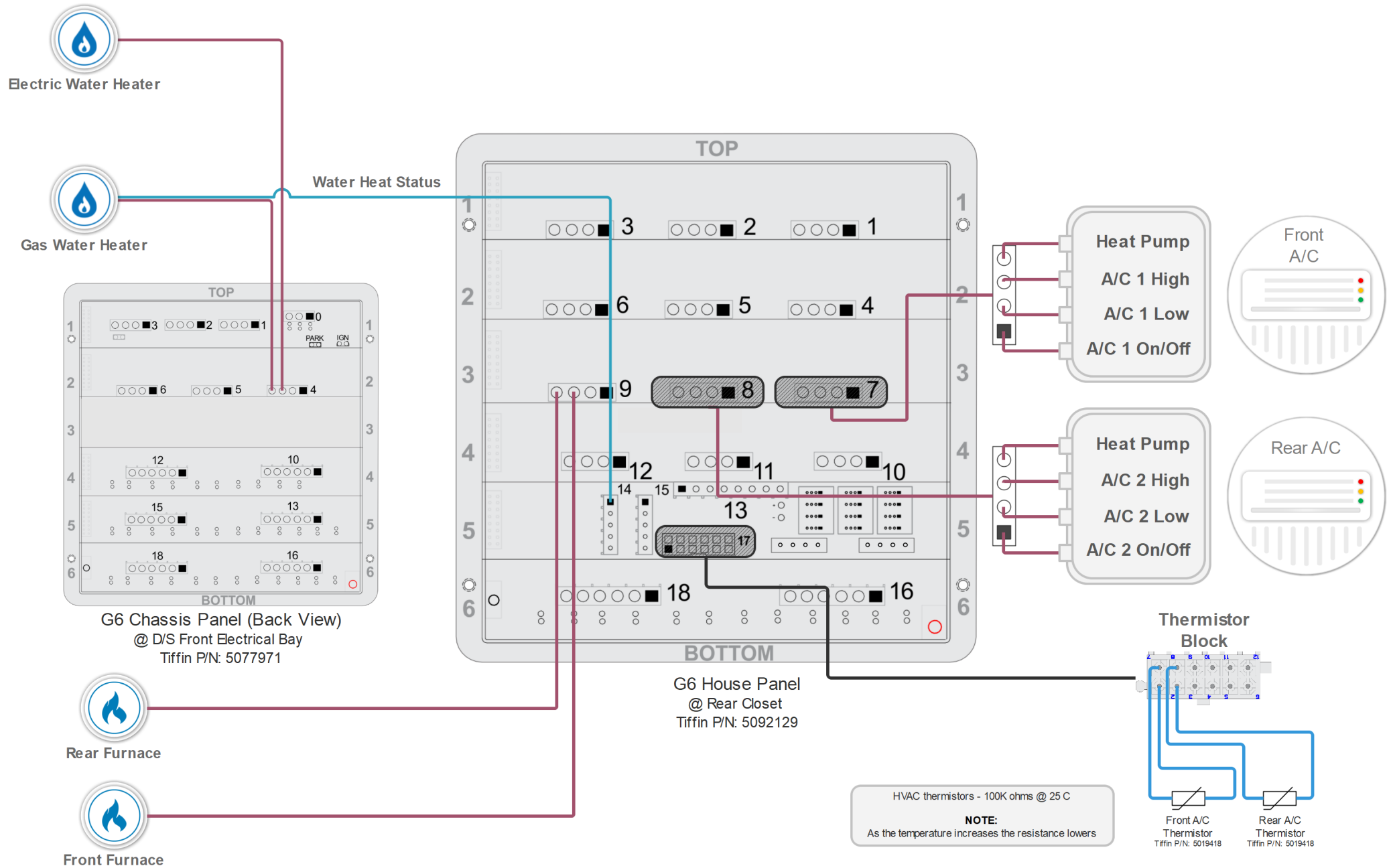
G6 House Panel  
@ Rear Closet  
Tiffin P/N: 5092129

All lights listed do NOT dim

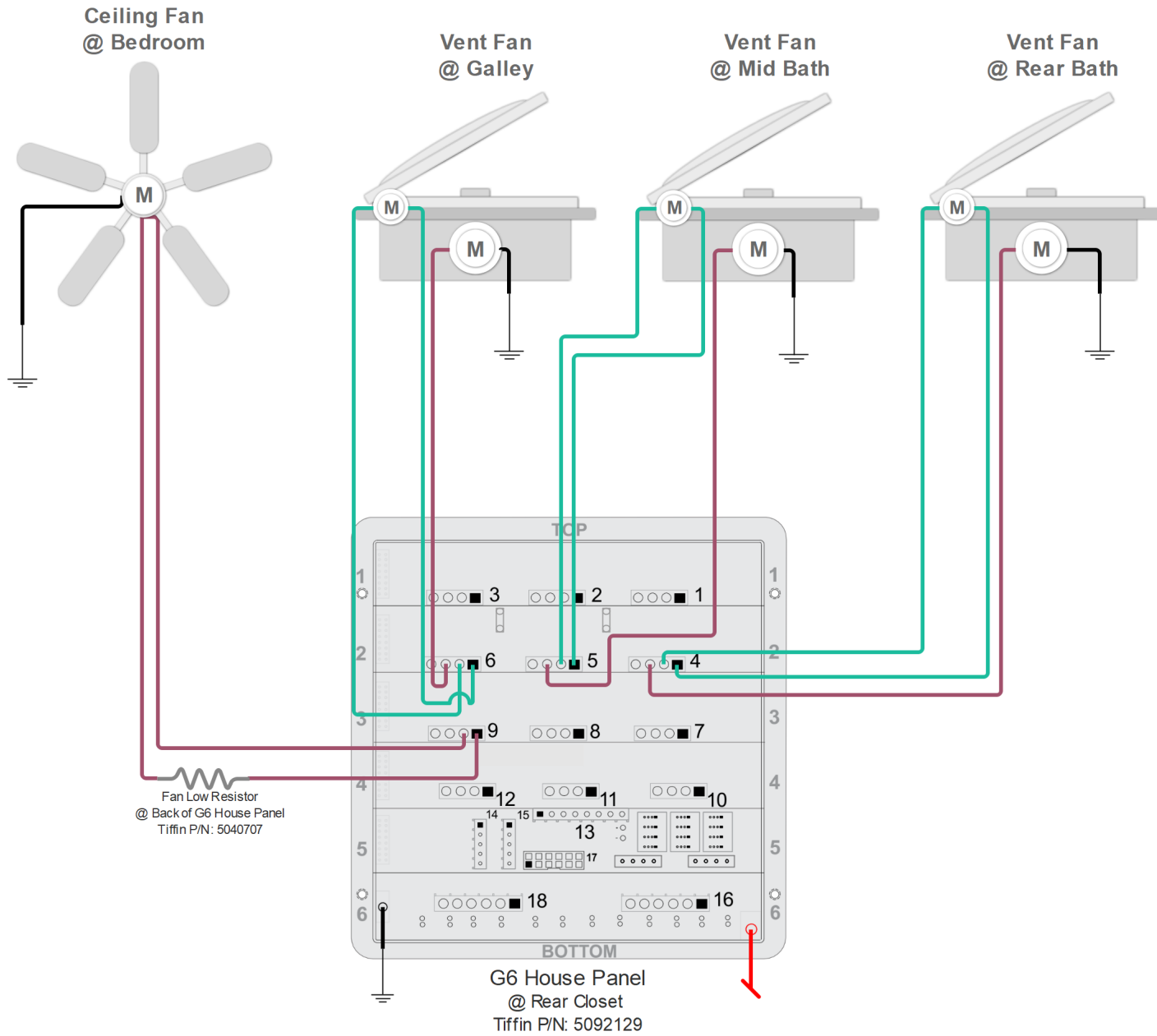


# 2020 Tiffin Allegro Open Road HVAC System

(Components not to scale)

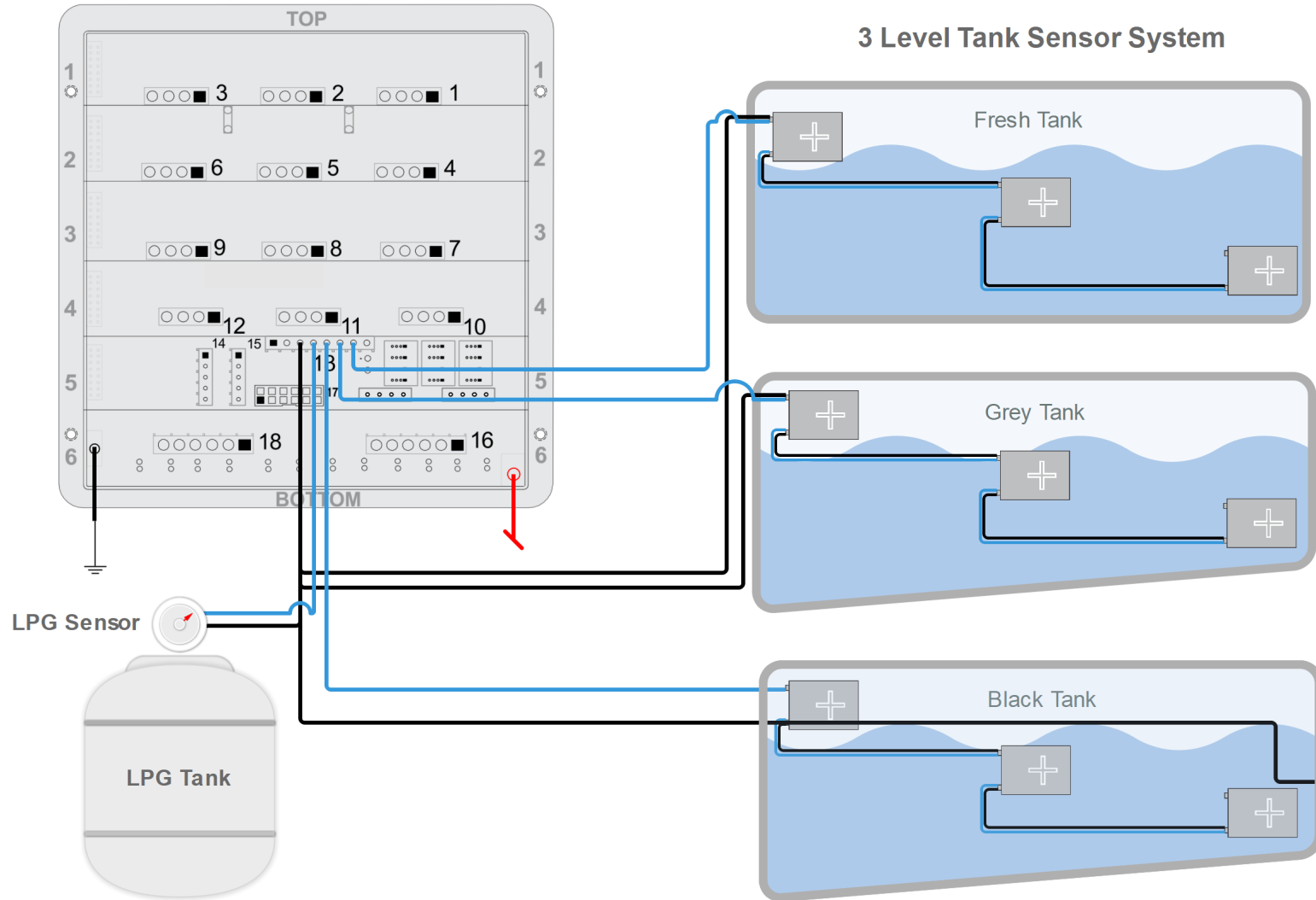


# 2020 Tiffin Allegro Open Road Vent Fan & Ceiling Fan System (Components not to scale)



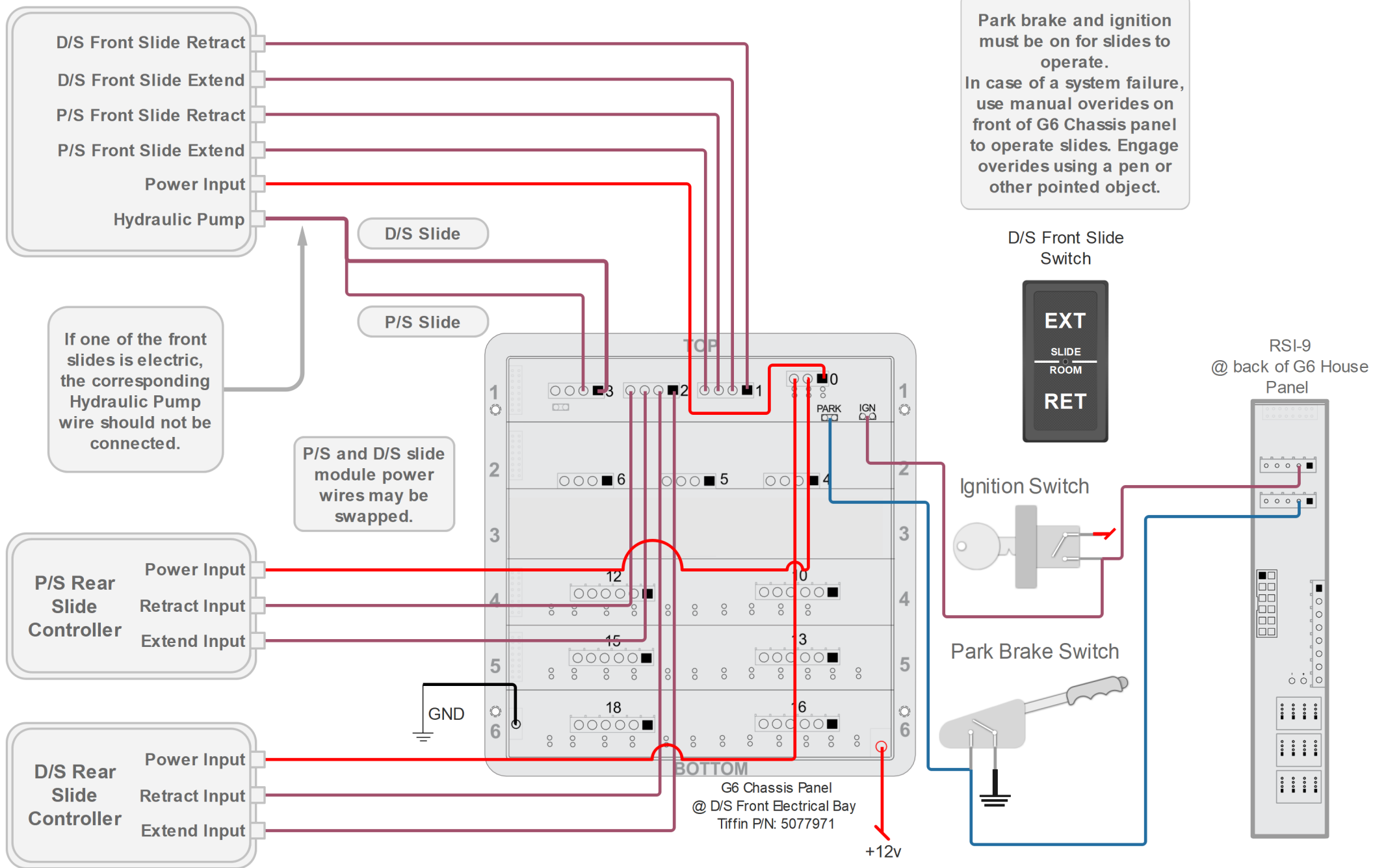
# 2020 Tiffin Allegro Open Road Tank Level System (Components not to scale)

G6 House Panel  
@ Rear Closet  
Tiffin P/N: 5092129



# 2020 Tiffin Allegro Open Road Slide System

(Components not to scale)

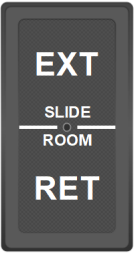


Park brake and ignition must be on for slides to operate.  
 In case of a system failure, use manual overrides on front of G6 Chassis panel to operate slides. Engage overrides using a pen or other pointed object.

If one of the front slides is electric, the corresponding Hydraulic Pump wire should not be connected.

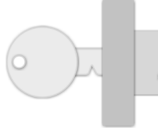
P/S and D/S slide module power wires may be swapped.

D/S Front Slide Switch

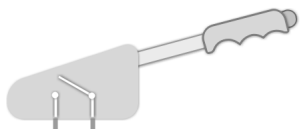


RSI-9 @ back of G6 House Panel

Ignition Switch



Park Brake Switch



G6 Chassis Panel @ D/S Front Electrical Bay  
 Tiffin P/N: 5077971

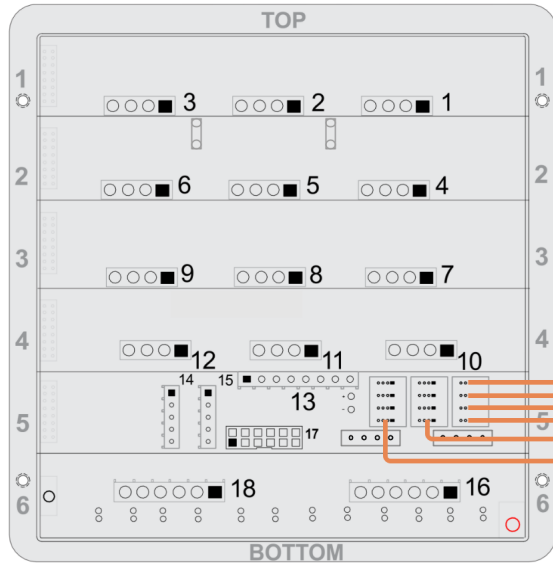
+12V

# 2020 Tiffin Allegro Open Road

## Switch and Screen Network

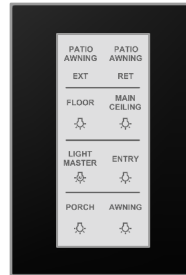
(Components not to scale)

G6 House Panel  
@ Rear Closet  
Tiffin P/N: 5092129

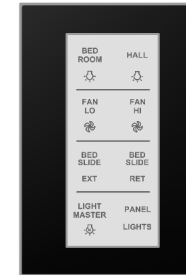


PLEASE NOTE: A NETWORK CABLE CAN BE PLUGGED INTO ANY NETWORK PORT ON THE RSI-9

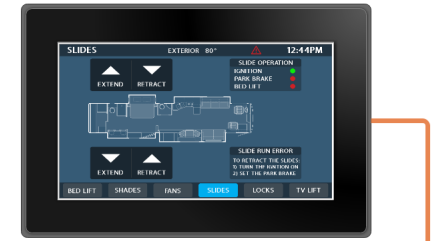
Entry



Bedroom



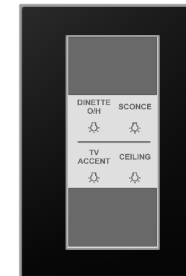
7" Lite Touch Screen  
Tiffin P/N: 5090549



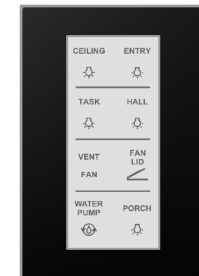
Bathroom



Dinette



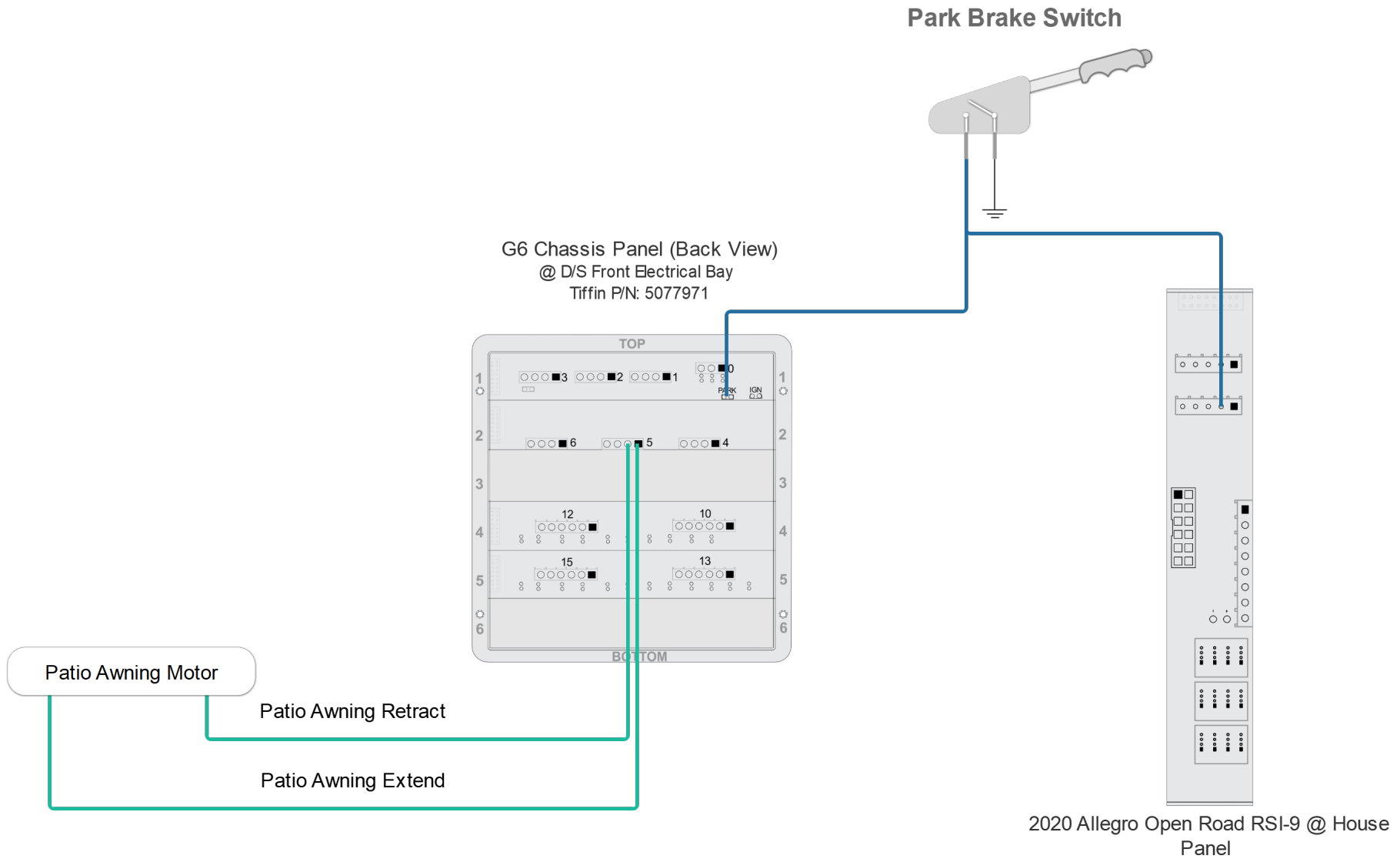
Galley



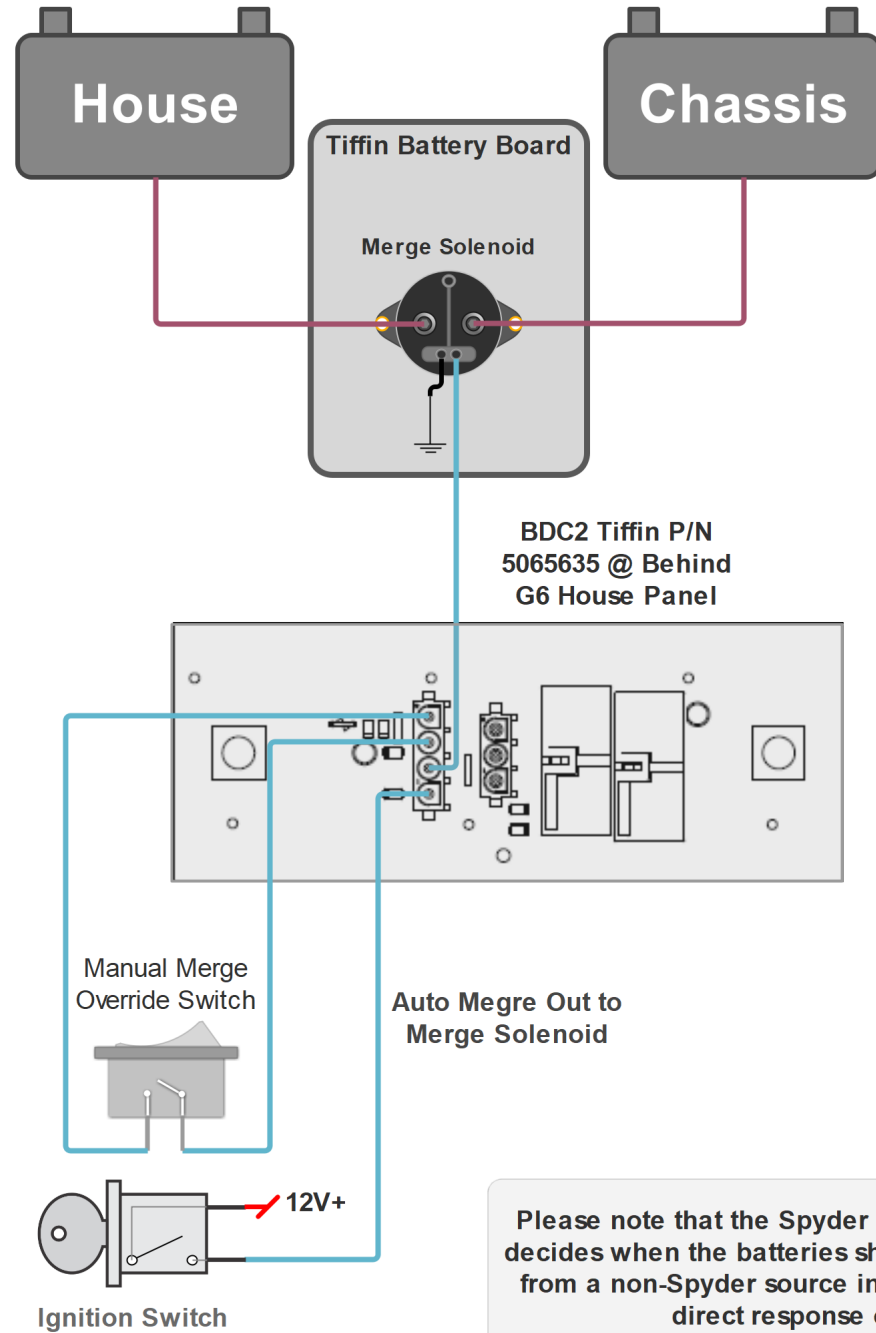
PLEASE DO NOT ORDER A REPLACEMENT SWITCH PANEL UNTIL YOU HAVE CALLED SPYDER CONTROLS. IT IS VERY RARE FOR A SWITCH PANEL TO FAIL

866-919-9092

# 2020 Tiffin Allegro Open Road Front Shade System (Components not to scale)

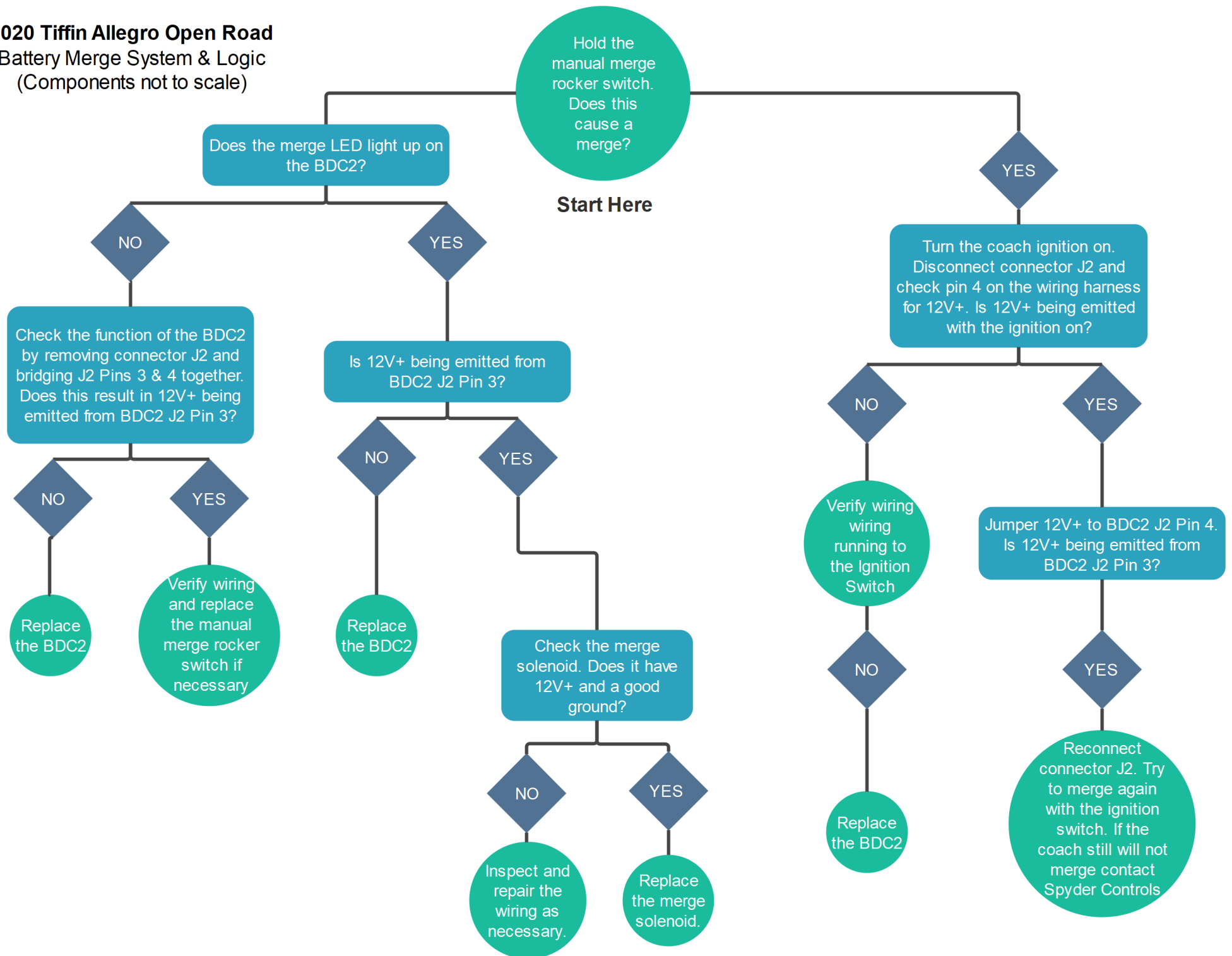


**2020 Tiffin Allegro Open Road**  
Battery Merge System & Logic  
(Components not to scale)

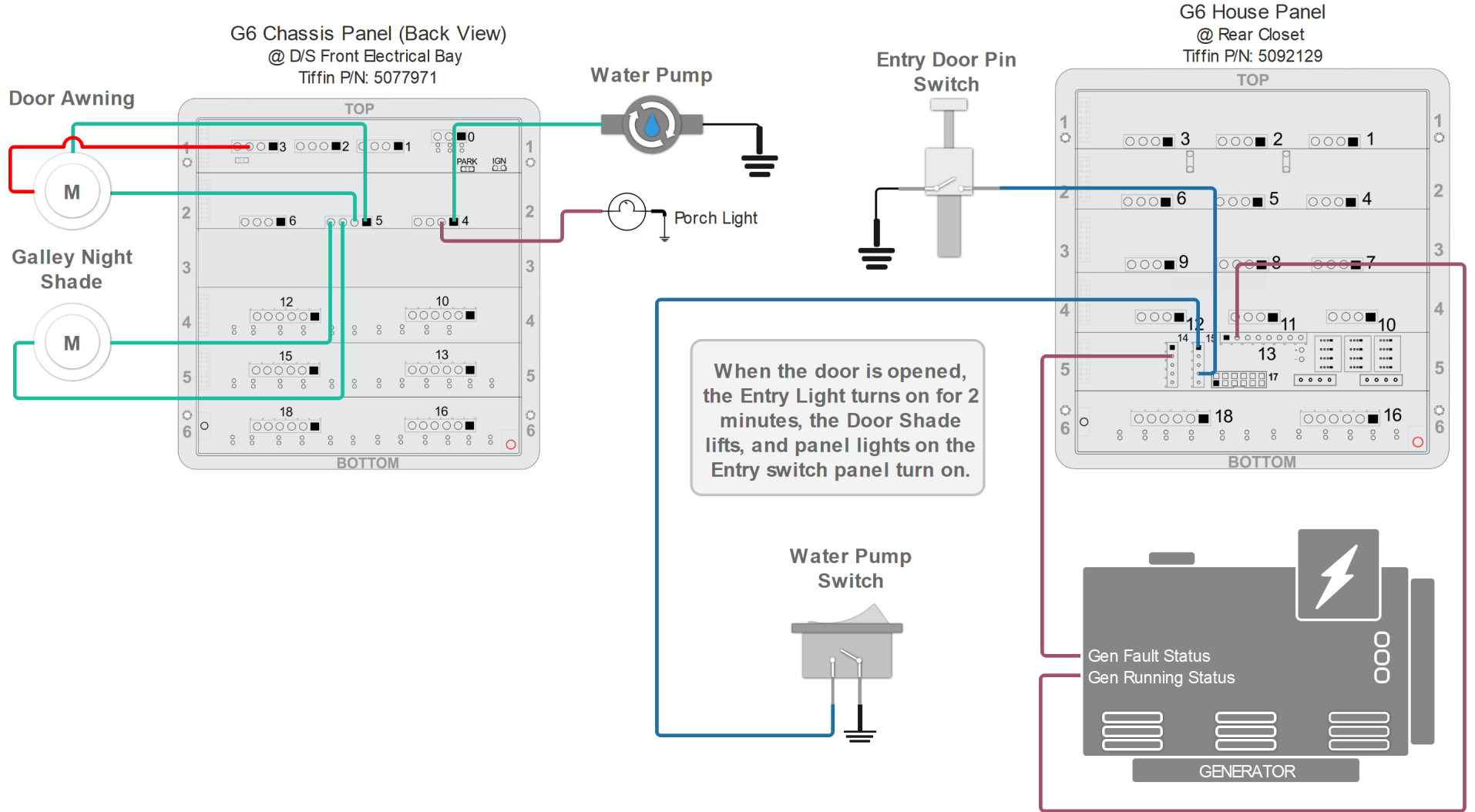


Please note that the Spyder system in the 2020 Allegro Open Road in no way decides when the batteries should merge. Any auto merge functionality comes from a non-Spyder source in the coach. The BDC2 only receives inputs and in direct response outputs 12V+ to the Merge Solenoid.

**2020 Tiffin Allegro Open Road**  
**Battery Merge System & Logic**  
 (Components not to scale)



# 2020 Tiffin Allegro Open Road Miscellaneous (Components not to scale)

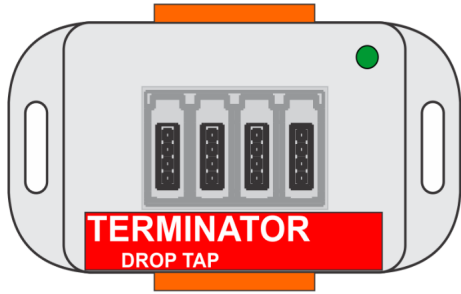


# 2020 Tiffin Allegro Open Road

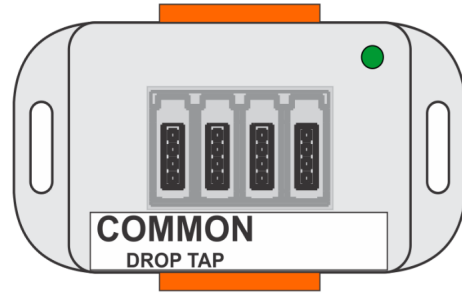
## Network Connectors and Related Parts

(Components not to scale)

G3 Terminator Tap  
Tiffin P/N: 5051935



G3 Common Tap  
Tiffin P/N: 5027834



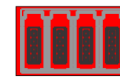
G4 Common Drop Tap  
Tiffin P/N: 5016592



Mini-Clamp Plug  
Tiffin P/N: 5066157



G4 Terminator Drop Tap  
Tiffin P/N: 5051936



Mini-Clamp Socket  
Tiffin P/N: 5066158



4 Pos Wago Connector  
Tiffin P/N: 5015508

