

**G6A CONTROL PANEL LAYOUT**  
**Tiffin PN: 5056210 Spyder PN: BENCZ52C8-3**  
**BUS/PHTN - HOUSE Rev 3v0**  
**PINOUT DIAGRAM - 05/16/ 2016**

**Back View**

- CONNECTOR 4**
- 4-1 REAR BATH/MID SINK CEILING LIGHTS
  - 4-2 TASK LIGHTS
  - 4-3 MID BATH CEILING LIGHTS
  - 4-4 MID BATH VANITY LIGHTS

- CONNECTOR 5**
- 5-1 REAR BATH/MID SINK VANITY LIGHTS
  - 5-2 TV ACCENT LIGHTS
  - 5-3 FRONT ACCENT LIGHTS
  - 5-4 REAR ACCENT LIGHTS

- CONNECTOR 6**
- 6-1 ROAD LIGHT
  - 6-2 PORCH LIGHT
  - 6-3 ELECTRIC WTR HT
  - 6-4 DIESEL / GAS WTR HT

- CONNECTOR 10**
- 10-1 FLR HT ZN 1
  - 10-2 FLR HT ZN 2
  - 10-3
  - 10-4

- CONNECTOR 11**
- 11-1 BED LIFT UP
  - 11-2 BED LIFT DN
  - 11-3 TV LIFT UP
  - 11-4 TV LIFT DN

- J18 --- TV LIFT COMMON
- J17 --- TV LIFT COMMON

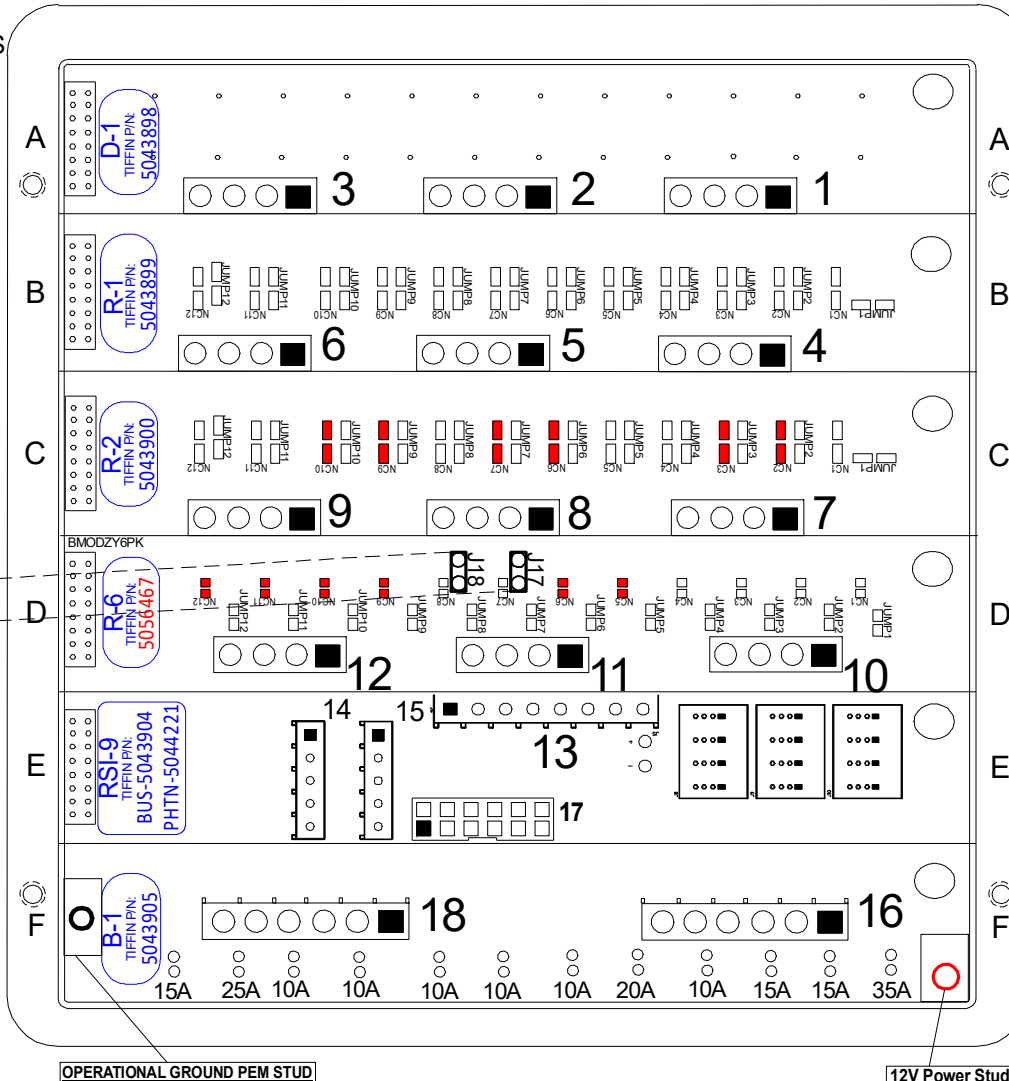
- CONNECTOR 12**
- 12-1 TV DAY SHD UP
  - 12-2 TV DAY SHD DN
  - 12-3 TV NT SHD UP
  - 12-4 TV NT SHD DN

- CONNECTOR 17**
- 17-6
  - 17-5
  - 17-4
  - 17-3
  - 17-2 RR THERMISTOR
  - 17-1 FR THERMISTOR

- CONNECTOR 14 (12V+ INPUTS)**
- 14-1 WTR HTR STATUS
  - 14-2 IGNITION INPUT
  - 14-3 HOUSE DISCONNECT 12V+
  - 14-4 BED LIFT PLUNGER SW 12V+
  - 14-5

- CONNECTOR 15 (GND INPUTS)**
- 15-1 WATER PUMP SW
  - 15-2 PARK BRAKE INPUT
  - 15-3 CLOSET LIGHT SW
  - 15-4 TRIMARK
  - 15-5 ENTRY DOOR PIN SW

GND



OPERATIONAL GROUND PEM STUD

12V Power Stud

- CONNECTOR 18**
- 18-1 FRONT THERMO
  - 18-2 MID THERMO
  - 18-3 TOILET/REAR THERMO
  - 18-4 BRKR TO RR SLIDE
  - 18-5 FRIDGE
  - 18-6

- CONNECTOR 16**
- 16-1 MACERATOR TOILET
  - 16-2 FRONT FURNACE
  - 16-3 REAR FURNACE
  - 16-4 SWITCHER / LP/IR
  - 16-5 OUTSIDE TV
  - 16-6 BRKR TO FR SLD / SHD MOD

NOTE: CONNECTORS ARE SHOWN HERE IN THE LOADED (REAR) VIEW.

- CONNECTOR 1**
- 1-1 MAIN O/H / LIV RM LIGHT
  - 1-2 ENTRY / FLOOR LIGHT
  - 1-3 PS CEILING LIGHTS
  - 1-4 DS CEILING LIGHTS

- CONNECTOR 2**
- 2-1 MID HALL LIGHTS
  - 2-2 PS SLIDE LIGHTS
  - 2-3 PS SCONCE
  - 2-4 DS SLIDE LIGHTS

- CONNECTOR 3**
- 3-1 DS SCONCE
  - 3-2 BED READING LIGHTS (REAR)
  - 3-3 BED SCONCE LIGHTS
  - 3-4 BEDROOM LIGHTS

- CONNECTOR 7**
- 7-1 GALLEY FAN ON/OFF
  - 7-2 GALLEY FAN UP
  - 7-3 GALLEY FAN DN
  - 7-4 CLOSET LIGHTS (OPTIONAL)

- CONNECTOR 8**
- 8-1 MID BATH FAN ON/OFF
  - 8-2 MID BATH FAN UP
  - 8-3 MID BATH FAN DN
  - 8-4 REAR BATH / MID SINK FAN ON/OFF

- CONNECTOR 9**
- 9-1 REAR BATH / MID SINK FAN UP
  - 9-2 REAR BATH / MID SINK FAN DN
  - 9-3 CEILING FAN LO
  - 9-4 CEILING FAN HI

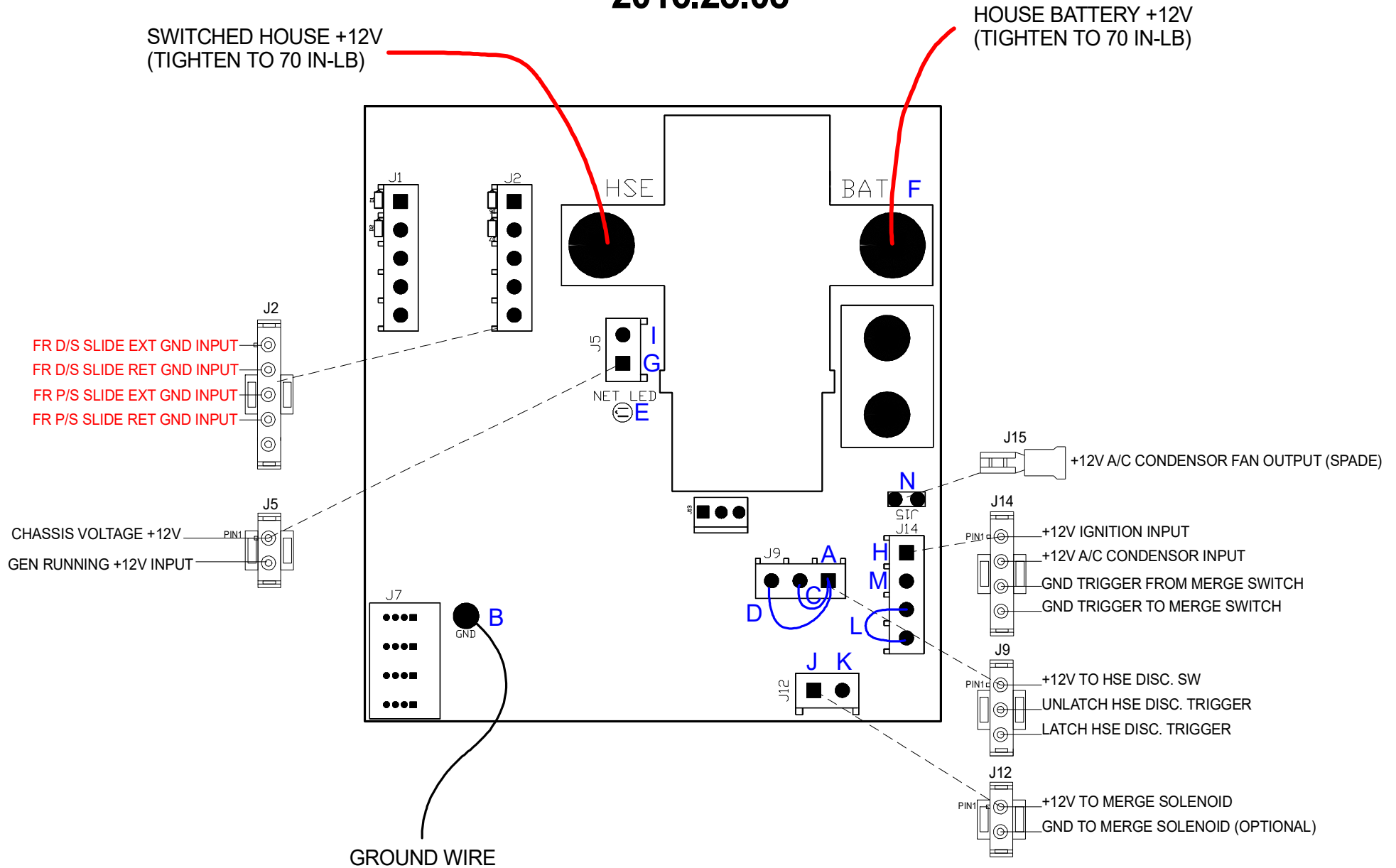
- CONNECTOR 13**
- Pin 1: Unused
  - Pin 2: Constant 12V+ (BATT)
  - Pin 3: GND (Common for sensors)
  - Pin 4: LPG Sensor Input
  - Pin 5: Black Tank Sensor Input
  - Pin 6: Grey Tank Sensor Input
  - Pin 7: Fresh Tank Sensor Input
  - Pin 8: Unused

**Card Legend**

- R=RELAY CARD
- B=BREAKER CARD
- RSI-9=INPUT MODULE
- D=DIMMER CARD
- J = JUMPERED



# Tiffin Motorhomes Power Management Module 2016.23.08



NOTE: CONNECTORS ARE SHOWN HERE IN THE LOADED (REAR) VIEW.