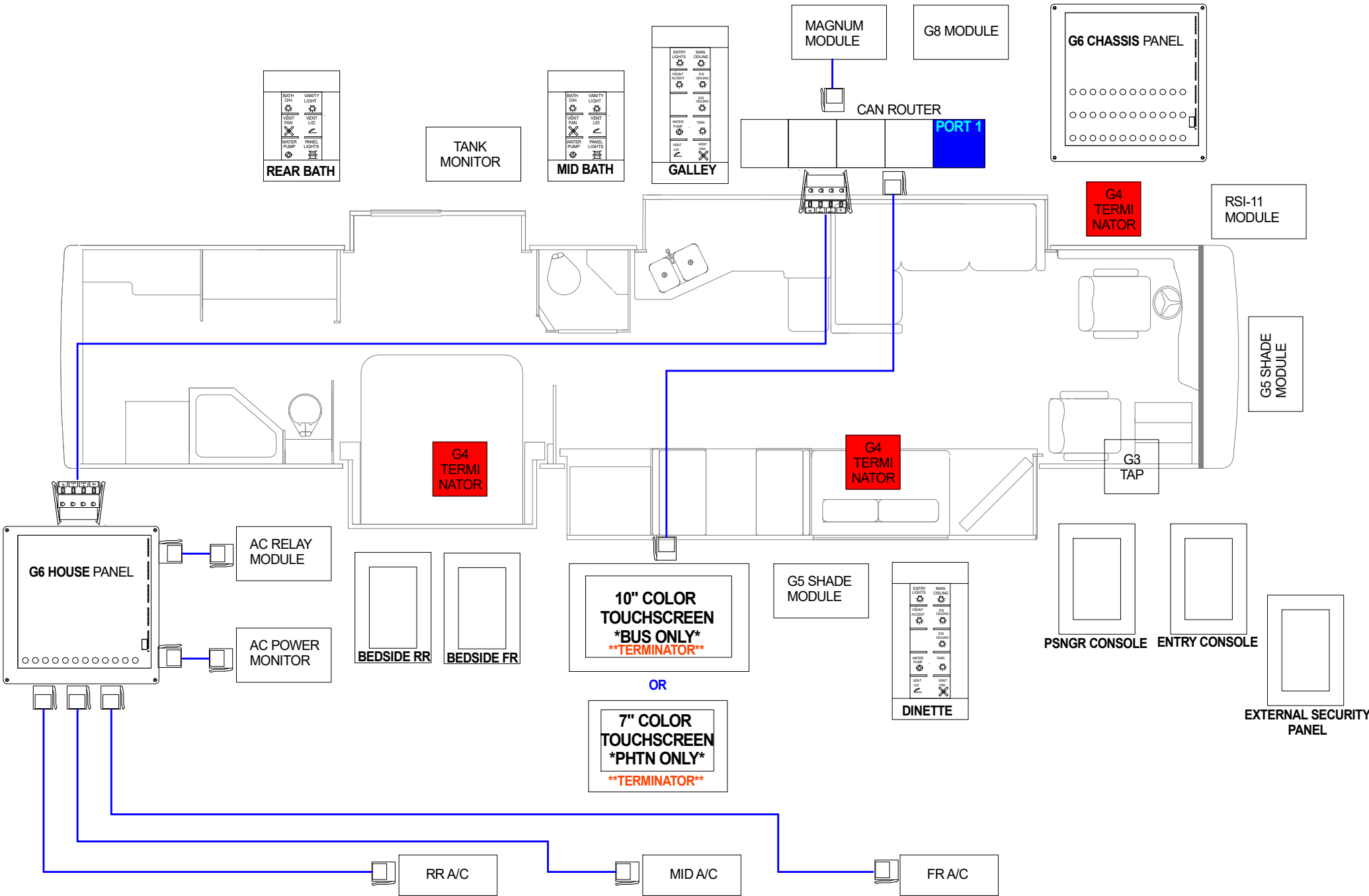


# 2019 BUS PHTN NETWORK WIRING DIAGRAM

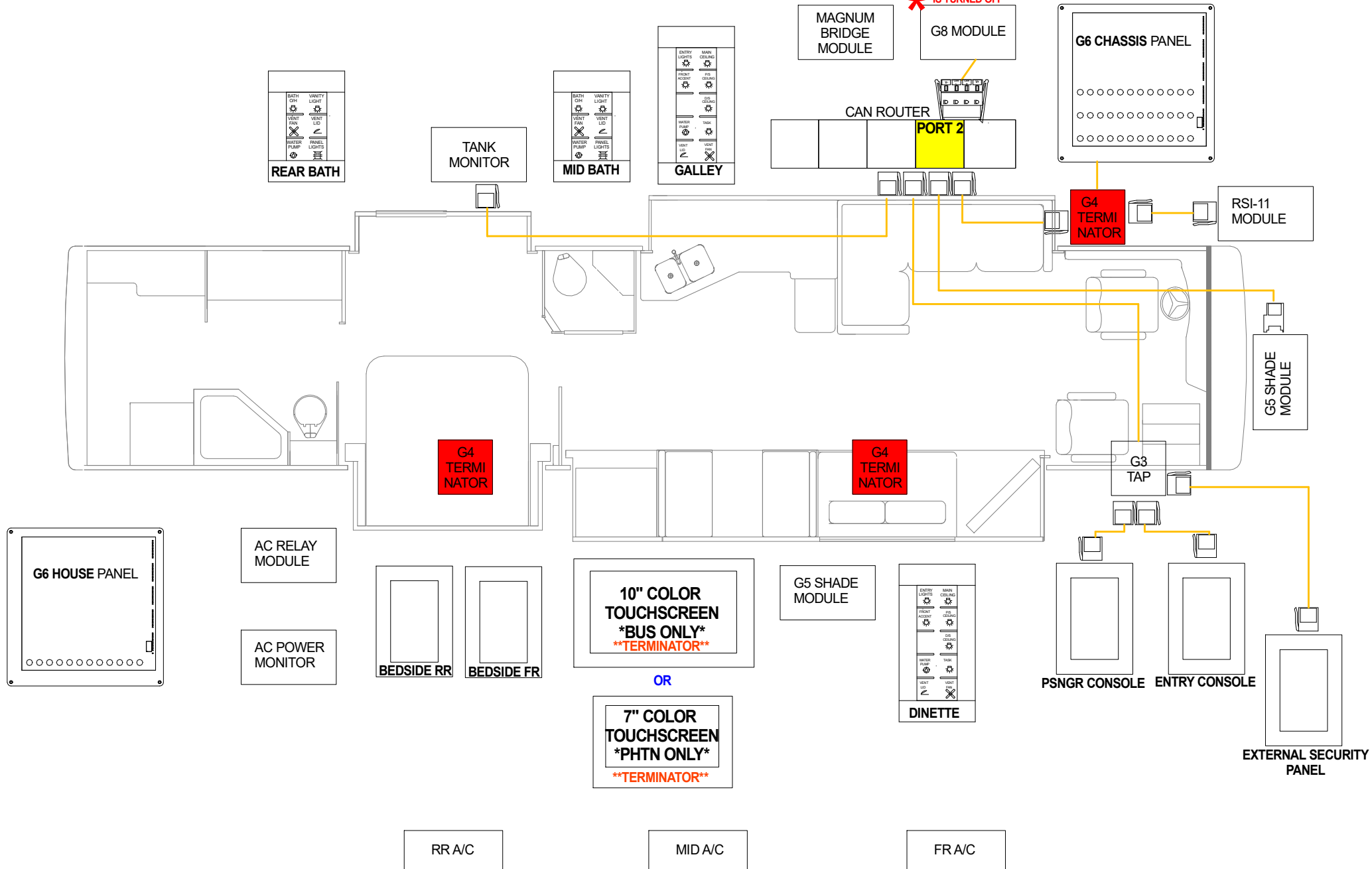
## BLUE NETWORK - CRITICAL - PORT 1



# 2019 BUS PHAETON NETWORK WIRING DIAGRAM

## YELLOW - MODULES - PORT 2

\*THE G8 MODULE SUPPLIES 12V+ TO PORT 2 WHEN THE HOUSE DISCONNECT SWITCH IS TURNED OFF\*



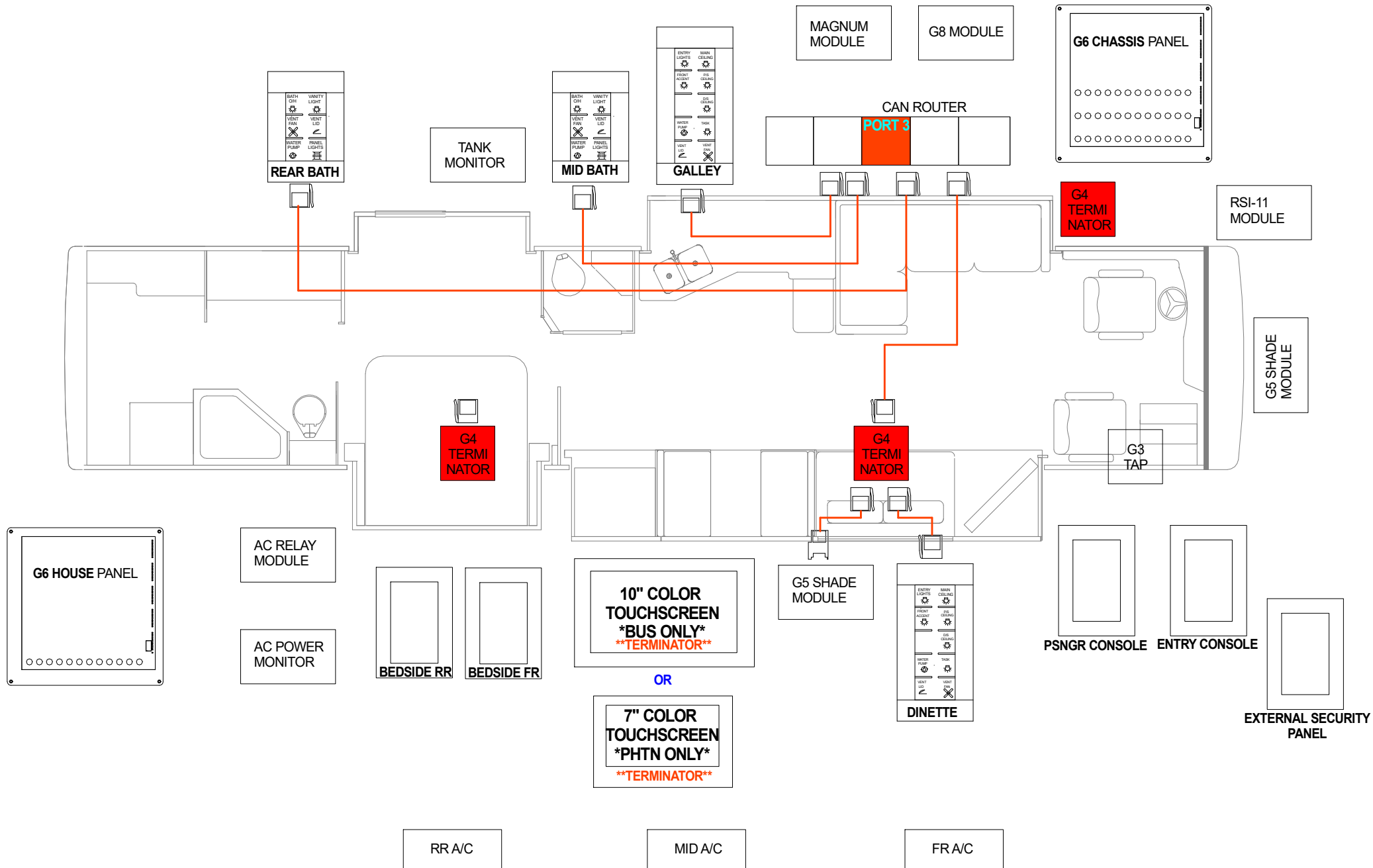
RR A/C

MID A/C

FR A/C

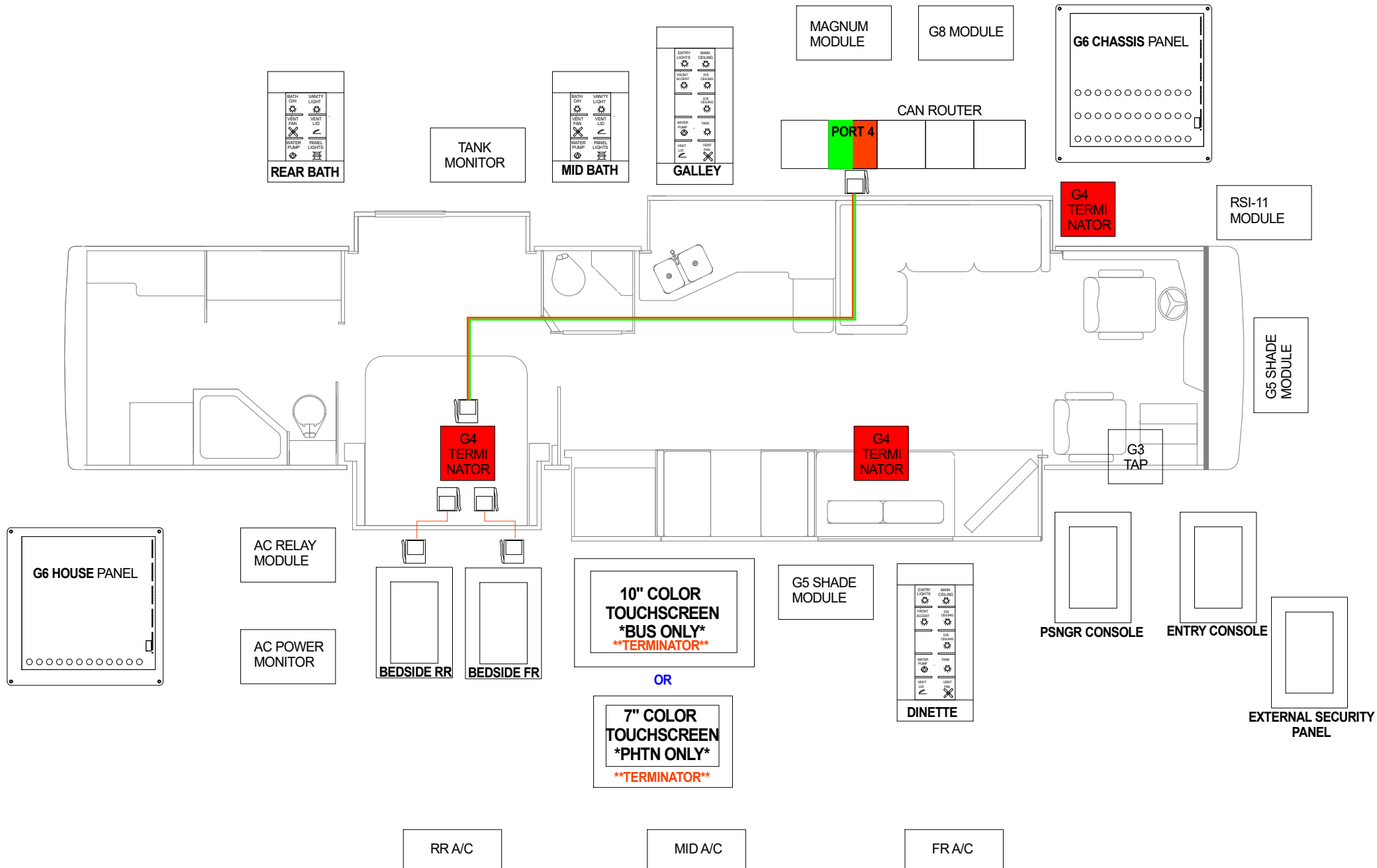
# 2019 BUS PHAETON NETWORK WIRING DIAGRAM

## ORANGE NETWORK - SWITCHES - PORT 3



# 2019 BUS PHAETON NETWORK WIRING DIAGRAM

## ORANGE GREEN NETWORK - SWITCHES - PORT 4



# 2019 **BUS/ZEPHYR ONLY** NETWORK WIRING DIAGRAM **BLUE NETWORK - VALID DASH DISPLAY- PORT 5**

