

G6A CONTROL PANEL LAYOUT
Tiffin PN: 5078276 Spyder PN: BENCZ52CF
2019 Allegro - HOUSE Rev 0vA
PINOUT DIAGRAM - 08.07.2018

Back View

- CONNECTOR 4**
- 4-1 (G6 LED 13) BATH FAN UP
- 4-2 (G6 LED 14) BATH FAN DOWN
- 4-3 (G6 LED 15) BATH FAN ON/OFF
- 4-4 (G6 LED 16)

- CONNECTOR 5**
- 5-1 (G6 LED 17) TOILET RM FAN UP
- 5-2 (G6 LED 18) TOILET RM FAN DOWN
- 5-3 (G6 LED 19) TOILET RM ON/OFF
- 5-4 (G6 LED 20)

- CONNECTOR 6**
- 6-1 (G6 LED 21) GALLEY FAN UP
- 6-2 (G6 LED 22) GALLEY FAN DOWN
- 6-3 (G6 LED 23) GALLEY FAN ON/OFF
- 6-4 (G6 LED 24)

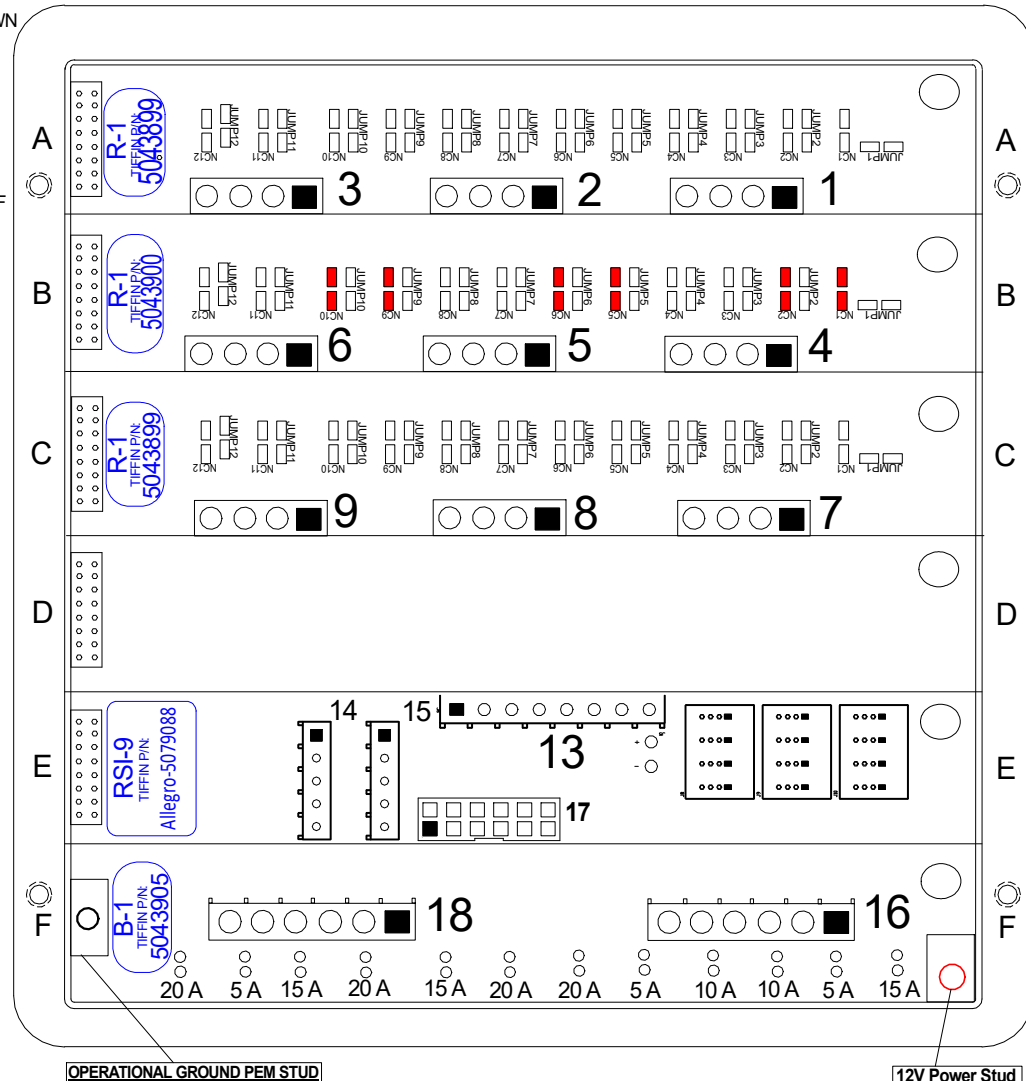
- CONNECTOR 10**
- 10-1
- 10-2
- 10-3
- 10-4

- CONNECTOR 11**
- 11-1
- 11-2
- 11-3
- 11-4

- CONNECTOR 17**
- 17-6
- 17-5
- 17-4
- 17-3
- 17-2 RR ZONE THERMISTOR INPUT
- 17-1 FR ZONE THERMISTOR INPUT

- CONNECTOR 14 (12V+ INPUTS)**
- 14-1 WTR HTR STATUS
- 14-2 IGN
- 14-3 **GEN FAULT STATUS INPUT 12V+**
- 14-4 D/S FR SLIDE RET
- 14-5 D/S FR SLIDE EXT

- CONNECTOR 15 (GND INPUTS)**
- 15-1 WATER PUMP SWITCH
- 15-2 PARK BRAKE INPUT
- 15-3
- 15-4 ENTRY DOOR PIN SWITCH
- 15-5



- CONNECTOR 1**
- 1-1 (G6 LED 1) MAIN O/H CEILING
- 1-2 (G6 LED 2) ENTRY
- 1-3 (G6 LED 3) TASK LIGHTS
- 1-4 (G6 LED 4) HALL LIGHTS

- CONNECTOR 2**
- 2-1 (G6 LED 5) BEDROOM CEILING LIGHTS
- 2-2 (G6 LED 6) TOILET ROOM LIGHTS
- 2-3 (G6 LED 7) REAR BATH LIGHTS
- 2-4 (G6 LED 8) FLOOR LIGHTS

- CONNECTOR 3**
- 3-1 (G6 LED 9) DINETTE O/H LIGHT
- 3-2 (G6 LED 10) SCONE LIGHT
- 3-3 (G6 LED 11) TV ACCENT LIGHTS
- 3-4 (G6 LED 12) AWNING LIGHT

- CONNECTOR 7**
- 7-1 (G6 LED 25) AC 1 COMPRESSOR
- 7-2 (G6 LED 26) AC 1 FAN HI
- 7-3 (G6 LED 27) AC 1 FAN LO
- 7-4 (G6 LED 28) HEAT PUMP

- CONNECTOR 8**
- 8-1 (G6 LED 29) AC2 COMPRESSOR
- 8-2 (G6 LED 30) AC2 FAN HI
- 8-3 (G6 LED 31) AC2 FAN LO
- 8-4 (G6 LED 32) HEAT PUMP

- CONNECTOR 9**
- 9-1 (G6 LED 33) CEILING FAN LO
- 9-2 (G6 LED 34) CEILING FAN HI
- 9-3 (G6 LED 35) FR FURNACE
- 9-4 (G6 LED 36) RR FURNACE

- CONNECTOR 13**
- 13-1 CHS 12V+ INPUT
- 13-2 **GEN RUN STATUS INPUT 12V+**
- 13-3 GND (COMMON FOR SENSORS)
- 13-4 LPG SENSOR INPUT
- 13-5 BLACK TANK SENSOR INPUT
- 13-6 GREY TANK SENSOR INPUT
- 13-7 FRESH TANK SENSOR INPUT
- 13-8

- CONNECTOR 18**
- 18-1 - BREAKER #67
- 18-2 REAR FURNACE - BREAKER #68
- 18-3 - BREAKER #69
- 18-4 CARGO LIGHTS - BREAKER #70
- 18-5 INVERTER RELAY - BREAKER #71
- 18-6 EXT ENT 12V - BREAKER #72

- CONNECTOR 16**
- 16-1 FRONT FURNACE - BREAKER #61
- 16-2 SWITCHER - BREAKER #62
- 16-3 LP - BREAKER #63
- 16-4 CLOSET LIGHT / IR REPEATERS - BREAKER #64
- 16-5 AGS - BREAKER #65
- 16-6 EXT ENT - BREAKER #66

Card Legend

R=RELAY CARD
 B=BREAKER CARD
 RSI-9=INPUT MODULE
 D=DIMMER CARD

= JUMPERED

NOTE: CONNECTORS ARE SHOWN HERE IN THE LOADED (REAR) VIEW.

G6A CONTROL PANEL LAYOUT
 Tiffin PN: 5077971 Spyder PN: BENCZ54CF
 Allegro - CHASSIS Rev 0vA
PINOUT DIAGRAM - 08.07.2018

Back View

- CONNECTOR 4**
- 4-1 (G6 LED 13) WATER PUMP
 - 4-2 (G6 LED 14) PORCH LIGHT
 - 4-3 (G6 LED 15) WATER HEATER ELEC
 - 4-4 (G6 LED 16) WATER HEATER GAS

- CONNECTOR 5**
- 5-1 (G6 LED 17) AWNING EXT
 - 5-2 (G6 LED 18) AWNING RET
 - 5-3 (G6 LED 19) GALLEY NIGHT SHADE UP
 - 5-4 (G6 LED 20) GALLEY NIGHT SHADE DN

- CONNECTOR 6**
- 6-1 (G6 LED 21)
 - 6-2 (G6 LED 22)
 - 6-3 (G6 LED 23)
 - 6-4 (G6 LED 24)

--- **PARK BRAKE SIGNAL**

--- **IGNITION SIGNAL**

- CONNECTOR 13**
- 13-1 MAP LT / RADIO / FANS - **BREAKER #49**
 - 13-2 USB POWER - **BREAKER #50**
 - 13-3 WIPER HIGH RELAY - **BREAKER #51**
 - 13-4 ENTRY STEP SWITCH - **BREAKER #52**
 - 13-5 ENTRY STEP POWER - **BREAKER #53**
 - 13-6 WINDOW - **BREAKER #54**

- CONNECTOR 15**
- 15-1 POWER SEAT #1 - **BREAKER #55**
 - 15-2 A/C FAN - **BREAKER #56**
 - 15-3 HOOD LIGHTS - **BREAKER #57**
 - 15-4 TRAILER 12V POWER - **BREAKER #58**
 - 15-5 SHADES - **BREAKER #59**
 - 15-6 POWER SEAT #2 - **BREAKER #60**

- CONNECTOR 0**
- 0-1 FRONT SLIDE MODULE
 - 0-2 VANITY SLIDE MODULE
 - 0-3 BED SLIDE MODULE

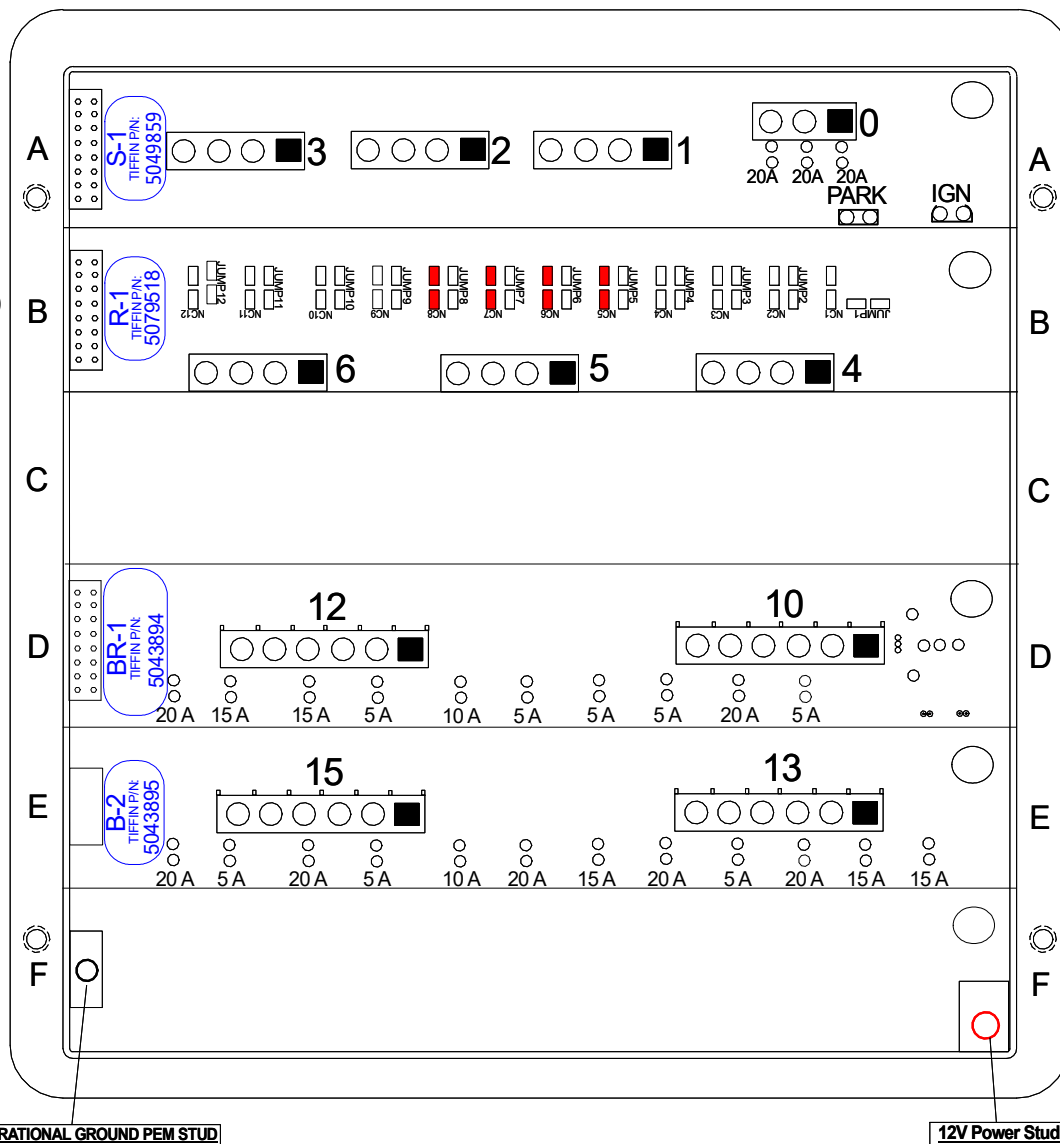
- CONNECTOR 1**
- 1-1 (G6 LED 1) D/S FR SLIDE RET
 - 1-2 (G6 LED 2) D/S FR SLIDE EXT
 - 1-3 (G6 LED 3) P/S FR SLIDE RET
 - 1-4 (G6 LED 4) P/S FR SLIDE EXT

- CONNECTOR 2**
- 2-1 (G6 LED 5) D/S RR SLIDE RET
 - 2-2 (G6 LED 6) D/S RR SLIDE EXT
 - 2-3 (G6 LED 7) P/S RR SLIDE RET
 - 2-4 (G6 LED 8) P/S RR SLIDE EXT

- CONNECTOR 3**
- 3-1 (G6 LED 9) D/S HYDRAULIC PUMP
 - 3-2 (G6 LED 10) P/S HYDRAULIC PUMP
 - 3-3 (G6 LED 11) DOOR AWNING
 - 3-4 (G6 LED 12)

- CONNECTOR 10**
- 10-1 - **BREAKER #37**
 - 10-2 - **BREAKER #38**
 - 10-3 FRIDGE / TV RELAY - **BREAKER #39**
 - 10-4 MIRRORS - **BREAKER #40**
 - 10-5 CAMERA IGN - **BREAKER #41**
 - 10-6 JACK BUZZER - **BREAKER #42**

- CONNECTOR 12**
- 12-1 - **BREAKER #43**
 - 12-2 - **BREAKER #44**
 - 12-3 ENTRY STEP IGN - **BREAKER #45**
 - 12-4 - **BREAKER #46**
 - 12-5 - **BREAKER #47**
 - 12-6 POWER WINDOW OPTION - **BREAKER #48**



Card Legend

R=RELAY CARD

B=BREAKER CARD

BR=BREAKER/RELAY CARD

D=DIMMER CARD

■ = JUMPERED

NOTE: CONNECTORS ARE SHOWN HERE IN THE LOADED (REAR) VIEW.